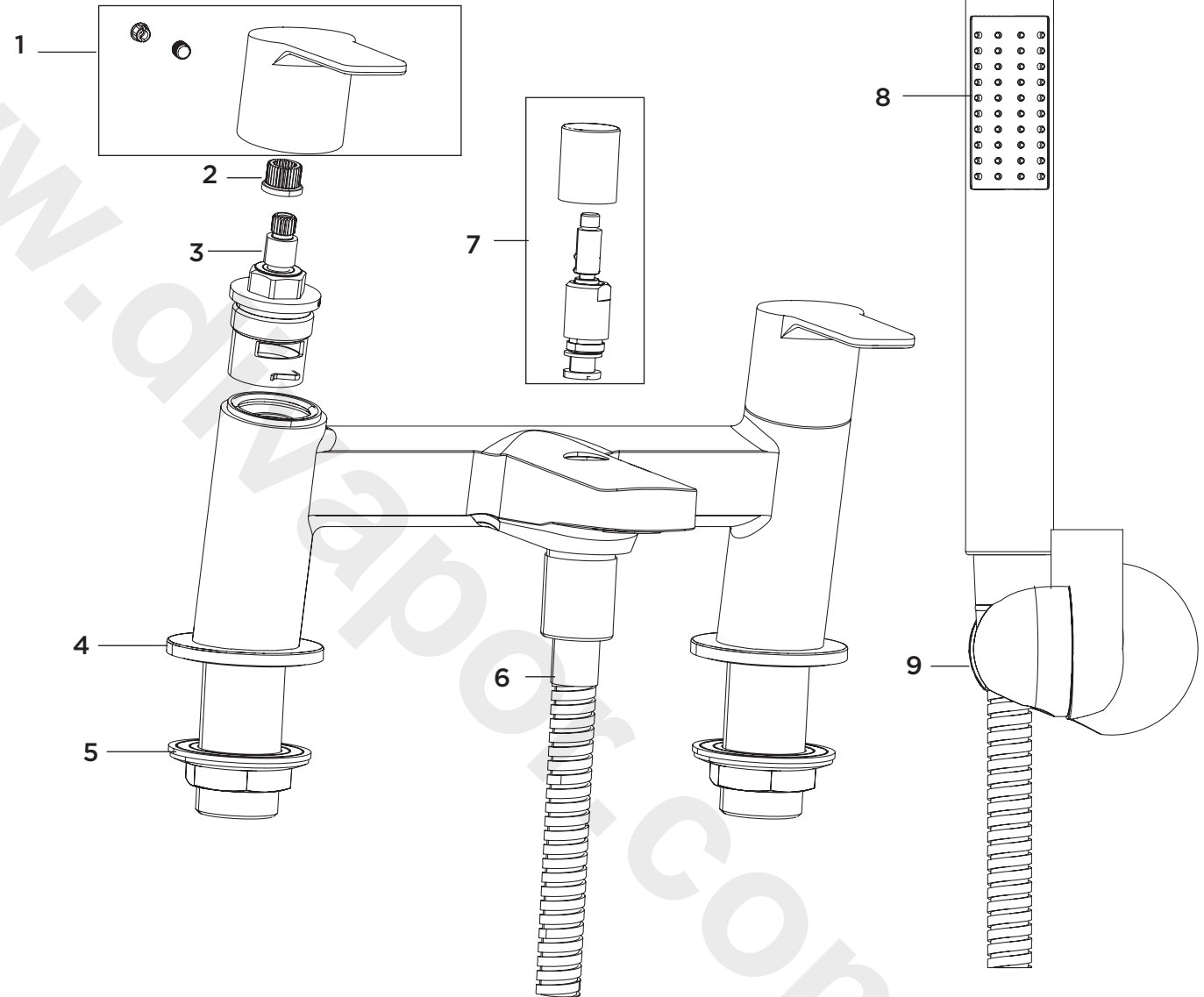


Product Code: PS2 BSM C

Revision: D1



1	Handle Assembly
2	Spline Adapter
3	Ceramic Valve
4	Plinth
5	Backnut & Washer
6	Hose
7	Diverter Assembly
8	Handset
9	Wall Bracket